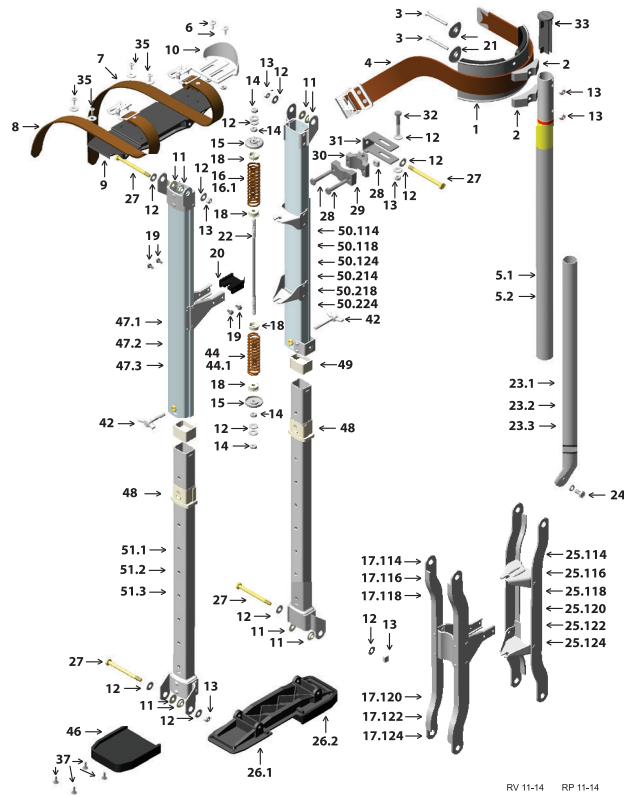


DURA STILTS (III) DSD-1830 / DSD-2440

Spare Parts Diagram



This page is based on model **pre NOV 2022**. For models produced **after NOV 2022**, go to next page.

Use only genuine Dura Stilts spare parts. Using other brands parts on Dura Stilts may affect the operation of the product and void warranty.

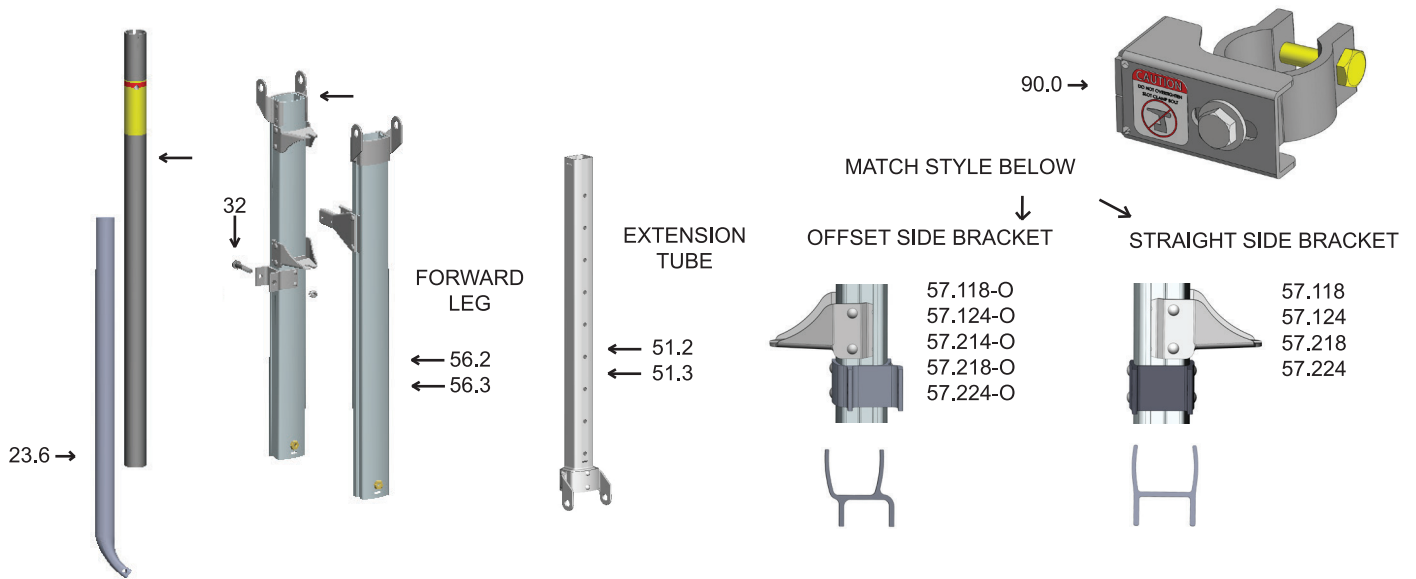
■ DURA STILTS (III) SPARE PARTS (Made BEFORE NOV 2022)

Code	Description
DSP-1	Leg band with pad
DSP-2	Leg band spacer
DSP-3	1/4-20 x 2" flat head phillips screw with lock nut
DSP-4	Leg strap and buckle
DSP-5A	1 1/8 O.D upper strut tube (DSD-1422 & DSD-1830)
DSP-5B	1 1/8 O.D upper strut tube (DSD-2440)
DSP-6	Truss head screw with nut
DSP-7	Arch/toe strap
DSP-9	Floor plate
DSP-10	Adjustable heel bracket
DSP-11	Nylon leg bearing
DSP-12	1/4" flat washer
DSP-13	1/4-20 lock nut
DSP-14	1/4-20 hex nut
DSP-15	Spring adjuster
DSP-16	Upper coil spring with bearings (dark brown)
DSP-18	Nylon spring bearing
DSP-19	No 8 X 3/8 self threading - DS-III
DSP-20	Spring divider
DSP-21	Large leg band support washer - DS-III
DSP-22	1/4 X 7 7/8 stud bolt threaded
DSP-23A	1" o.d. lower strut tube (DS4-1422)
DSP-23B	1" o.d. lower strut tube (DS4-1830)
DSP-23C	1" o.d. lower strut tube (DS4-2440)
DSP-24	1/4-20 x 9/16" hex bolt, washer & lock nut
DSP-26A	Floor plate only
DSP-26B	Floor plate with soles mounted
DSP-27	1/4-20 x 3-1/8" cap screw
DSP-28	1/4-20 x 5/8 cap screw with DS-III
DSP-29	Tube clamp (A) - DS-III
DSP-30	Tube clamp (B) - DS-III
DSP-31	Clamp bracket - DS-III
DSP-32	1/4-20 x 5/8 cap screw with - DS-III
DSP-33	Upper strut tube cap/plug - DS-III

Code	Description
DSP-34	Shoe mounting bolts & nuts - DS-III
DSP-35A	Strap mounting screw with washer
DSP-36	No 8 strap washer
DSP-37A	No 8 x 1/2" screw
DSP-37B	No 8 x 3/8 screw
DSP-42	Wing bolt
DSP-44	Lower coil spring (light brown)
DSP-45	Entire spring assembly
DSP-46A	Replacement rubber sole with screws
DSP-47A	Forward adjustable leg (DSD-1422)
DSP-47B	Forward adjustable leg (DSD-1830)
DSP-47C	Forward adjustable leg (DSD-2440)
DSP-48	Large nylon extension tube sleeve (lower)
DSP-49	Small nylon extension tube sleeve (upper)
DSP-50A-1	Left rear adjustable leg (DSD-1422)
DSP-50A-2	Right rear adjustable leg (DSD-1422)
DSP-50B-1	Left rear adjustable leg (DSD-1830)
DSP-50B-2	Right rear adjustable leg (DSD-1830)
DSP-50C-1	Left rear adjustable leg (DSD-2440)
DSP-50C-2	Right rear adjustable leg (DSD-2440)
DSP-51A	Extension tube (DSD-1422)
DSP-51B	Extension tube (DSD-1830)
DSP-51C	Extension tube (DSD-2440)
DSP-54A	Strap mounting bolt package
DSP-55A	Sole mounting screw package
DRK01	Leg Strap Replacement Kit
DRK02	Foot Strap Replacement Kit
DRK03	Nylon Sleeve Replacement Kit
DRK04	Coil Spring Replacement Kit
DRK05	Spring Assembly Kit
DRK07	Sole Replacement Kit
DRK09	Wing Bolt Replacement Kit
DRK10	Foot Plate Assembly Kit

DURA STILTS UNISTRUT PARTS DSD-1830 / DSD-2440

Spare Parts Diagram



■ DURA STILTS UNISTRUT PARTS (Made AFTER NOV 2022)

Code	Description
DSP-56	1 1/8 O.D. UPPER UNISTRUT TUBE
DSP-118-O	LEFT REAR ADJ LEG (1830) OFFSET APX 14 3/4"
DSP-124-O	LEFT REAR ADJ LEG (2440) OFFSET APX 20 3/8"
DSP-218	RIGHT REAR ADJ LEG (1830) APX 14 3/4"
DSP-218-O	RIGHT REAR ADJ LEG (1830) OFFSET APX 14 3/4"
DSP-224-O	RIGHT REAR ADJ LEG (2440) OFFSET APX 20 3/8"
DSP-236	1" O.D. LOWER UNISTRUT TUBE
DSP-320	1 1/2" SCREW W/HEX NUT
DSP-512	EXTENSION TUBE (1830) (7 HOLES)

Code	Description
DSP-513	EXTENSION TUBE (2440) (9 HOLES)
DSP-561	FORWARD ADJ LEG (1422) APX LENGTH 12"
DSP-562	FORWARD ADJ LEG (1830) APX LENGTH 14 3/4"
DSP-563	FORWARD ADJ LEG (2440) APX LENGTH 20 3/8"
DSP-900	COMPACT TUBE CLAMP ASSY COMPLETE
DSP-57118	LEFT REAR ADJ LEG (1830) APX 14 3/4"
DSP-57124-O	LEFT REAR ADJ LEG (2440) OFFSET APX 20 3/8"
DSP-57224	RIGHT REAR ADJ LEG (2440) APX 20 3/8"